

规格：290x210mm 颜色：黑 材料：157克铜版纸

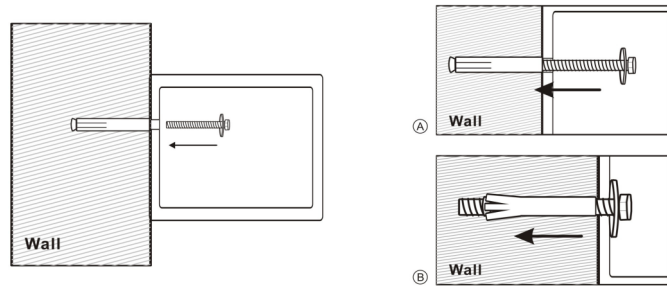
正面

反面

MOUNTING METHOD

- Fix the safe in the place which is not easy to move.
- Drill holes for expansion bolts (or clamping screws) in the right place.
- Turn the expansion bolts counter clockwise to separate.
- Use the expansion bolts (or clamping screws) to secure the case to the wall.
- Make sure the case is mounted in place as required and then tighten all screws.

⚠ CAUTION: Use the expansion bolt when there is a concrete wall surface. Use the clamping screw when there is a wooden wall surface.



For any help, kindly consult the local distributor

NOTICE ABOUT RECYCLING

Your product is designed and manufactured with high quality materials and components which can be recycled and reused.

This symbol means that electrical and electronic equipment, at their end-of-life, should be disposed of separately from your household waste. Please dispose of this equipment at your local community waste collection/ recycling centre.

In the European Union there are separate collection systems for used electrical and electronic products. Please help us to conserve the environment we live in!

Declaration of Conformity

Herewith, below company states that product SFH-1186 complies with the requirements of below directives:

EMC Directive: 14 / 30 / EU, RoHS Directive: 11 / 65 / EU & 15 / 863 / EU

CE-marking Directive: 93 / 68 / EEC

The detailed declaration can be found at www.united-electronics.gr

KALLIOPI KARIDA & CO, LP
87A, 17is Noemvriou str, P.C. 55535
Pylaia, Greece
T: +302316006600 - F: +302316006650
www.united-electronics.gr



UNITED®

INTELLIGENT ELECTRONIC LOCK SAFE

MODEL: SFH-1186

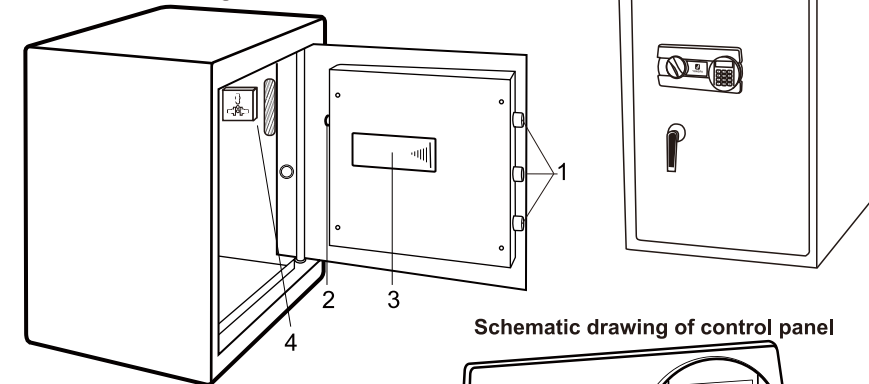
⚠ Please do not keep emergency keys in your safe!

Dear valued customer:

Thank you for choosing our products! You've taken an important step in organizing and protecting your most valued possessions. Every series of our safes is professionally made and designed to provide safety. Please take time to read and familiarize yourself with the proper operating procedures of your new safe presented on the following pages.

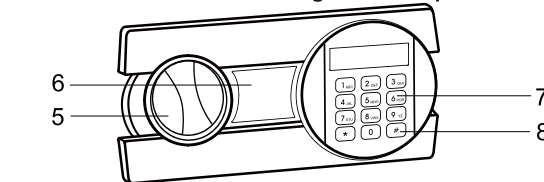
Again, thank you for choosing our products!

Schematic drawing of case



1. Bolts
2. RESET Button
3. Battery Compartment
4. A/C socket and internal light
5. Knob (Master Key)

Schematic drawing of control panel



6. Emergency Lock Cover
7. Clear Key
8. Start & Confirming Button

OPENING YOUR SAFE FOR THE FIRST TIME

Upon first opening, users should open the safe with the emergency key. The operation in details refers to "opening the safe with the emergency key".

- Remove emergency lock cover, then insert the emergency key, and turn it count anti-clock wise.
- Turn the knob (master key) clockwise to open the door.

⚠ CAUTION: Finish operation, pull out the emergency key and keep it in a safe place.

INSERTING THE BATTERIES

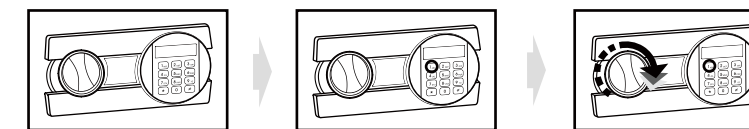
- Open the door.
- Insert 4AA batteries into the battery compartment.
- If the display show "OPEN", and then shows "L-BAT", it means the voltage is low and that you should replace the old batteries with new ones! Change all 4 batteries.

⚠ CAUTION: Replace 4 fresh batteries by lining them up in a manner as indicated by the "+" and "-" signs. When outage for thirty minutes or longer, you should reset the user code.

OPENING DOOR

- Press the "#" key.
- Input correct user code or master code, then press the "#" to confirm and the buzzer beeps twice and the display shows "OPEN".
- Turn the knob clockwise and open the door.

⚠ CAUTION: The user preset code "1234". You may press the key "*" to clear any incorrect digit you have input. One digit will be cleared each time when you press the key. If the wrong code is entered 3 times consecutively, an alarm will sound for 60 seconds. Then if you input the correct code, the display will show "OPEN" and the alarm will stop.



CLOSING DOOR

- Turn the knob (master key) counter anti-clock wise to close the door.

SETTING THE USER CODE

- With the door open, press the reset button once, the display will show "-----".
- Input your new user code(3-8 digits), and press the "#" key.
- The display will show "Into", which means the setting is accepted successfully and you can use your safe by new password.

SETTING THE MASTER CODE

- With the door open, press "#" key to start the keypad, then press "0" key twice and reset button once, the display shows "-----".
- Input your new user code(3-8 digits), and press the "#" key.
- The display will show "Into", which means the setting is accepted successfully and you can use your safe by new password.

SECURITY DISPLAY FEATURE

Your safe is equipped with a security display feature, using this feature means that your code will not be displayed on screen when opening safe.

- Press "#" to startup the lock.
- Press "*" in touch screen to startup the hidden code function. Any code you input will show "----" in the display, which can ensure your code safe.
- You can press "*" twice to cancel this function.

TAMPER ALARM

You may set a tamper alarm that will sound if anyone attempts to move or attack the safe.

- Press the "0" key, the display will show "ALMON"
- The display will show the sign of alarm horn and "-----". If you input the correct code, the display will show "OPEN" and the alert status will be lifted automatically.

OPENING THE SAFE IN EMERGENCY

Upon first receipt of the safe, or either the electronic circuit malfunction or codes unknown you could also use the emergency key to open the safe. If the batteries have been depleted, then you could use the external battery box to power keyboard.

- Remove the cover of the emergency lock.
- Insert the emergency key to the key hole, turn count anti-clock wise, then turn the knob (master key) clockwise to open the door.

